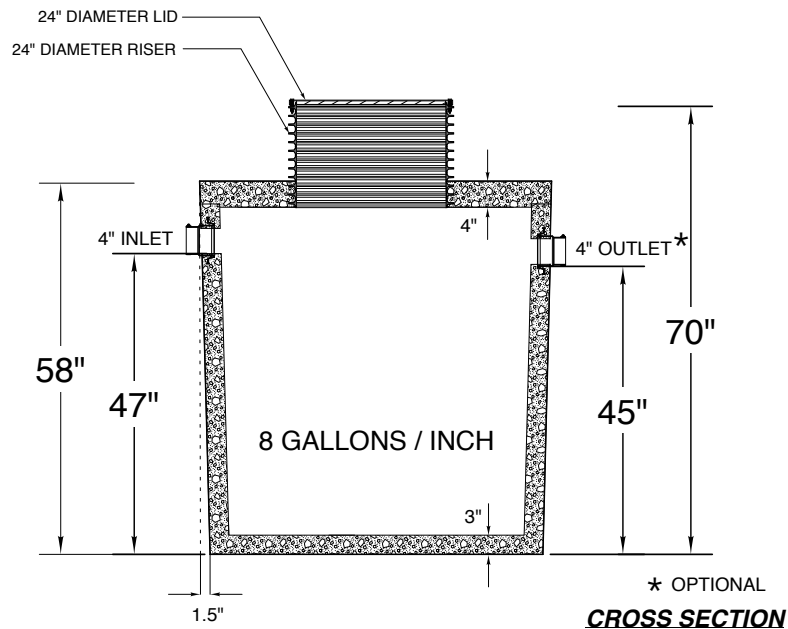


PLAN VIEW



*** OPTIONAL
CROSS SECTION**

General Notes:

Standard inlet and outlet fittings are 4" diameter - custom penetrations available upon request.
Pipe penetrations are cast in place seals meeting ASTM C-1644, or equivalent.
PVC baffle tees are to be 4" diameter PVC per ASTM D 3034.
Access openings are cast in place 24" diameter PVC pipe with lockable watertight gasketed lids.
Optional cast in place tank to riser adapters available upon request.
Joint between the tank and tank lid shall be Con-Seal CS-202 or CS-665 butyl mastic sealant or equal.
Concrete shall be 5000 psi within 28 days.
Rebar shall meet ASTM A615 Grade 60.
Wire mesh shall meet ASTM A1064.
Fibermesh reinforcing shall meet ASTM C1116.

**400 Gallon Pre-Cast Concrete
Single Compartment Pump Tank**

Drawing by: DBM

Date: Dec. 2015

Scale: NTS

Model: 400 P